

Texas Water Development Board Well Schedule

State Well No. 40 15 905 Previous Well No. County McLennan 309

River Basin Brazos 12 Zone 3 Lat. 31 46 13 Long. 097 08 09 Source of Coord. 1

Owner's Well No. 3 Location 1/4, 1.4, Section , Block , Survey

Owner Bald Springs W.S.C. Driller
#3

Address Tenant/Oper.

Date Drilled 1994 Depth Source of Depth Datum Altitude 591 Source of Alt. Datum M

Aquifer Houston 217HSTN Well Type WT User 35000
TNRCC 1550017

Well Const. Construction Method Casing Material

Completion Screen Material

Lift Data Pump Mfr. Type No. Stages

Bowls Diam. in. Setting ft. Column Diam. in.

Motor Mfr. Fuel or Power Horsepower

Yield Flow GPM Pump GPM Meas., Rept., Est. Date

Performance Test Date Length of Test Production GPM

Static Level ft. Pumping Level ft. Drawdown ft. Sp.Cap. GPM/ft.

Quality (Remarks)

Water Use Primary Secondary Tertiary

Other Data Available Water Level Water Quality Logs Other Data

Date Meas.

Water Levels Date Meas.

Date Meas.

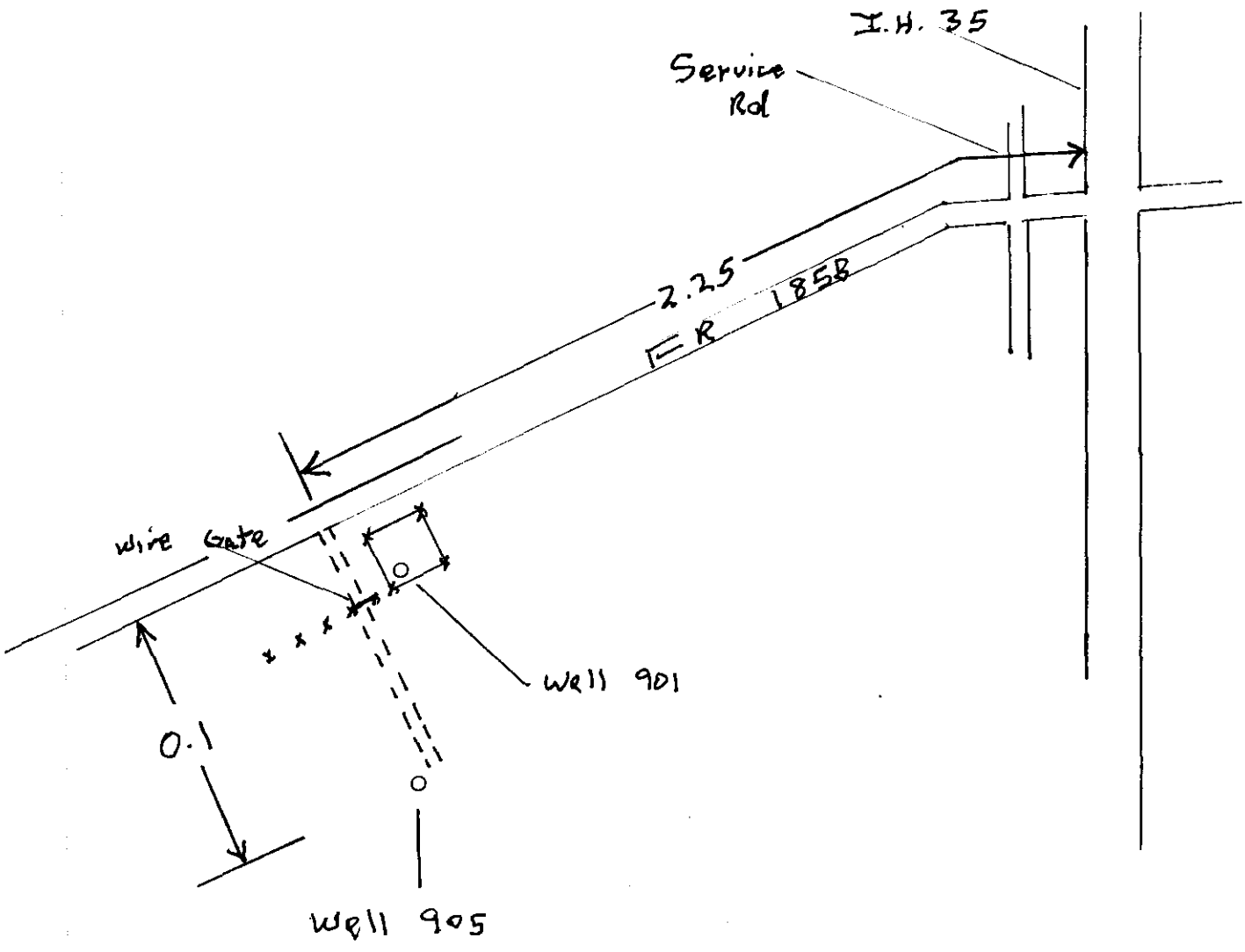
Recorded By D.R. Jones Date Record Collected or Updated 07 28 1994 (20 max) Reporting Agency 01

Remarks

1																				
2																				
3																				
4																				
5																				
6																				

	Casing or Blank Pipe (C)		Well Screen or Slotted Zone (S)		Open Hole (O)	
	Cemented from		Diam.		Setting (feet)	
	(in.)	From	(in.)	From	To	To
1						
2						
3						
4						
5						
6						
7						
8						
9						
10						
11						
12						
13						
14						
15						
16						

Aquifer Houston
Well No. 40-15 905



40-15-905

ATTENTION OWNER: Confidentiality
Privilege Notice on Reverse Side

State of Texas
WELL REPORT

Texas Water Well Drillers Board
P.O. Box 13087
Austin, Texas 78711

1) OWNER BOLD SPRINGS WSC WELL #3 ADDRESS RT. 1, BOX 215 WEST, TEXAS 76691
(Name) (Street or RFD) (City) (State) (Zip)
2) LOCATION OF WELL:
County McLellan 3.5 miles in W.S.W. direction from WEST, TEXAS
(NE, SW, etc.) (Town)

Driller must complete the legal description below with distance and direction from two intersecting section or survey lines, or he must locate and identify the well on an official Quarter- or Half-Scale Texas County General Highway Map and attach the map to this form.

LEGAL DESCRIPTION:

Section No. _____ Block No. _____ Township _____ Abstract No. _____ Survey Name _____
Distance and direction from two intersecting section or survey lines _____

SEE ATTACHED MAP

3) TYPE OF WORK (Check):

New Well Deepening
 Reconditioning Plugging

4) PROPOSED USE (Check):

Domestic Industrial Monitor Public Supply
 Irrigation Test Well Injection De-Watering

5) DRILLING METHOD (Check):

Mud Rotary Air Hammer Jetted Bored
 Air Rotary Cable Tool Other _____

6) WELL LOG:

Date Drilling: _____
Started JUNE 31 1994
Completed NOV 17 1994

DIAMETER OF HOLE

Dia. (in.)	From (ft.)	To (ft.)
30"	Surface	35
14 3/4"	35	1965

7) BOREHOLE COMPLETION:

Open Hole Straight Well Underreamed
 Gravel Packed Other _____

If Gravel Packed give interval ... from _____ ft. to _____ ft.

From (ft.) To (ft.) Description and color of formation material

0	20	SAND & RED CLAY
20	33	SAND & GRAVEL
33	1120	GRAY SHALE
1120	1630	LIME & GRAY SHALE
1630	1700	SAND
1700	1720	LIME
1720	1830	SAND
1830	1870	LIME
1870	1900	SAND
1900	1959	LIME

8) CASING, BLANK PIPE, AND WELL SCREEN DATA:

Dia. (in.)	New or Used	Steel, Plastic, etc. Perf., Slotted, etc. Screen Mfg., if commercial	Setting (ft.)		Gage Casting Screen
			From	To	
10 3/4"	N	STEEL J55 40.50 1b.	1959	2' above	GL
		NEWPORT PIPE			

9) CEMENTING DATA [Rule 287.44(1)]

Cemented from 1959 ft. to SURFACE ft. No. of Sacks Used 853

_____ ft. to _____ ft. No. of Sacks Used _____

Method used PRESSURE CEMENTED

Cemented by HALBURTON

USED 35% EXCESS GPM SLURRY.

10) SURFACE COMPLETION circulated 32%.

Specified Surface Slab Installed [Rule 287.44(2)(A)]
 Specified Steel Sleeve Installed [Rule 287.44(3)(A)]
 Pileless Adapter Used [Rule 287.44(3)(B)]
 Approved Alternative Procedure Used [Rule 287.71]

11) WATER LEVEL:

Static level 634 ft. below land surface Date 9-01-94
Artesian flow _____ gpm. Date _____

12) PACKERS: Type Depth

NONE

13) TYPE PUMP:

Turbine Jet Submersible Cylinder
 Other _____

Depth to pump bowls, cylinder, jet, etc., 1012 ft.

14) WELL TESTS:

Type Test: Pump Beller Jetted Estimated
Yield: 200 gpm with 190 ft. drawdown after 24 hrs.

15) WATER QUALITY:

Did you knowingly penetrate any strata which contained undesirable constituents?

Yes No If yes, submit "REPORT OF UNDESIRABLE WATER"

Type of water? _____ Depth of strata _____

Was a chemical analysis made? Yes No

I hereby certify that this well was drilled by me (or under my supervision) and that each and all of the statements herein are true to the best of my knowledge and belief. I understand that failure to complete items 1 thru 15 will result in the log(s) being returned for completion and resubmittal.

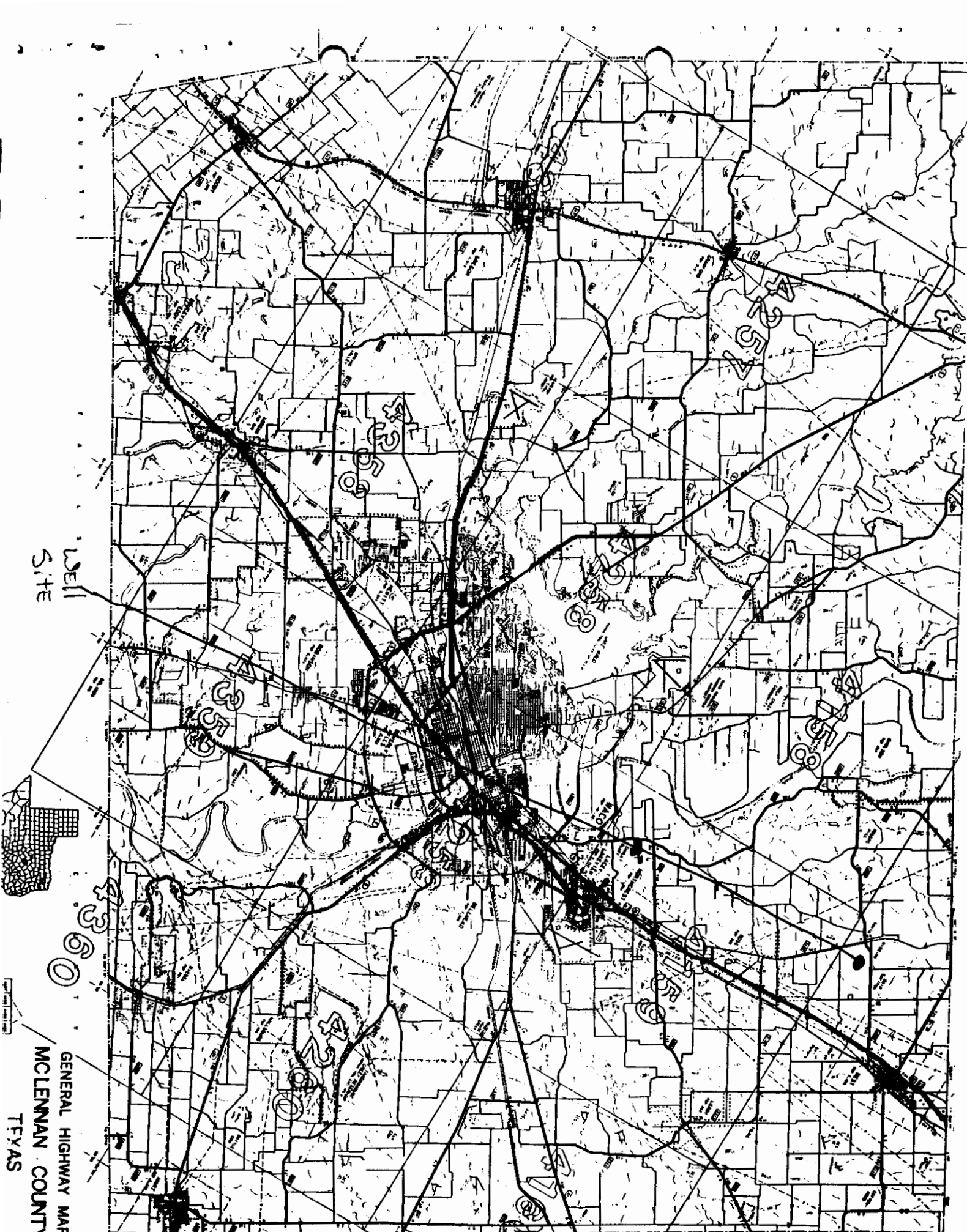
COMPANY NAME WATTS DRILLING COMPANY WELL DRILLER'S LICENSE NO. 2452WI
(Type or print)

ADDRESS 14310 HWY 377 SOUTH FT. WORTH, TEXAS 76126
(Street or RFD) (City) (State) (Zip)

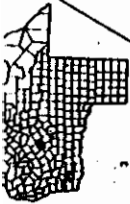
(Signed) Tim Watts (Licensed Well Driller) (Signed) _____ (Registered Driller Trainee)

Please attach electric log, chemical analysis, and other pertinent information, if available.

For TNRCC use only: Well no. _____ Located on map _____



Well
SITE



GENERAL HIGHWAY MAP
MCLENNAN COUNTY
TEXAS

40-15-905

McLear
40-15-205

WATTS DRILLING CO.
BOLD SPRINGS W.S.C.
WELL #3 ✓
36 HOUR WATER PRODUCTION TEST

WELL DEPTH: 1,959
PUMP SETTING: 969'
STATIC WATER LEVEL: 634'
MEASURING DEVICE: 4" FLOW METER

=====

DATE: 09-01-94

<u>TIME</u>	<u>PUMPING LEVEL</u>	<u>GPM</u>	<u>TEMP</u>
12:15 P.M.	START UP - BACKWASH AND CLEAN-UP		
2:20	804	290	106
3:20	809	280	106
4:20	817	280	106
4:45	819	270	106
5:15	819	260	106
7:35		SHUT DOWN	
7:40	634		
7:45	634	START UP	
8:40	819	270	106
9:00	819	270	106
10:00	819	270	106
11:00	819	270	106
09-02-94			
12:00 A.M.	819	270	106
1:00	819	270	106
2:00	824	260	106
3:00	824	260	106
4:00	824	260	106
5:00	824	260	106
6:00	824	260	106
7:00	824	260	106
8:00	824	260	106
9:00	779	200	106
9:05	774	200	106
10:00	779	200	106
11:00	779	200	106
12:00 P.M.	779	200	106
12:30	749	160	106

WATTS DRILLING CO.

<u>TIME</u>	<u>PUMPING LEVEL</u>	<u>GPM</u>	
1:00	739	160	106
1:30	739	160	106
2:00	739	160	106
3:00	739	160	106
4:00	739	160	106

END OF PUMP TEST

Tom Watts. 2457 W.I.

WITNESSED BY:

=====

RECOVERY: DATE 09-02-94

<u>TIME</u>		<u>WATER LEVEL</u>
4:05	RECOVERY	683
4:10		634
4:15		634
4:20		634

4015905